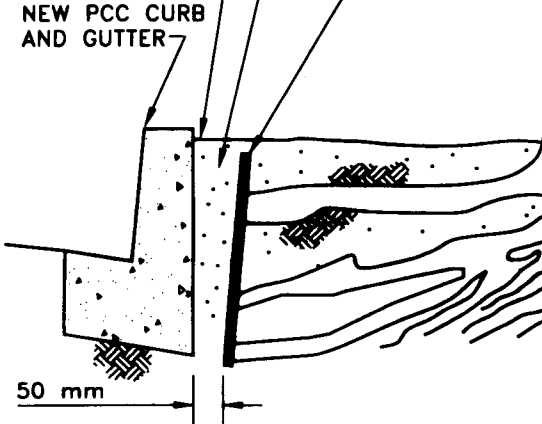


INSTALL 25.4 mm SPACER AND FABRIC
25.4 mm BELOW FINISHED GRADE

BACKFILL WITH SOIL

FINISHED GRADE TO
BE 12.5 mm BELOW
TOP OF CURB

NEW PCC CURB
AND GUTTER



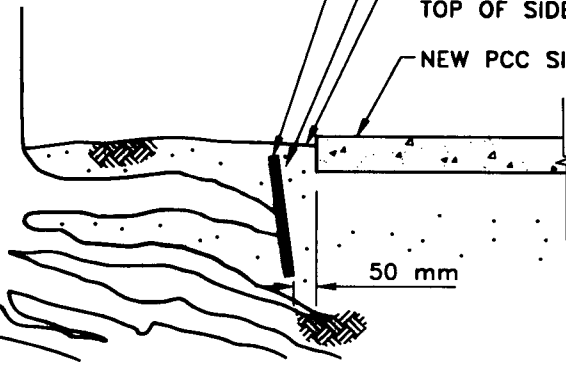
50 mm

INSTALL 25.4 mm SPACER
AND FABRIC 25.4 mm
BELOW FINISHED GRADE

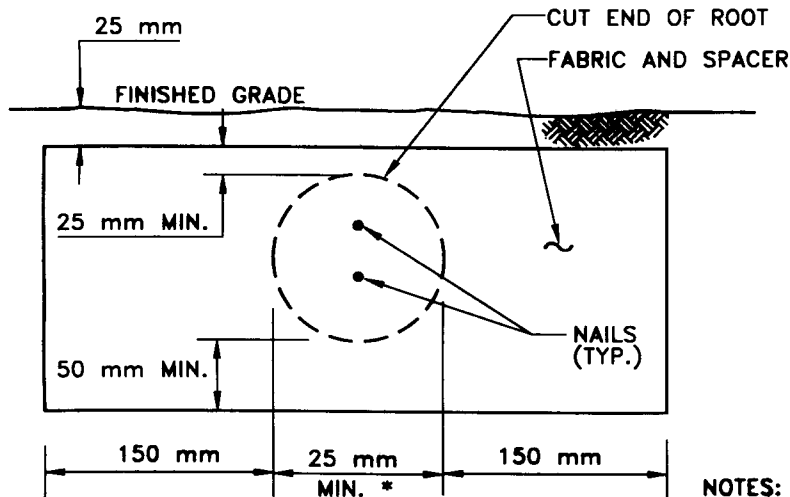
BACKFILL WITH SOIL

FINISHED GRADE TO
BE 12.5 mm BELOW
TOP OF SIDEWALK

NEW PCC SIDEWALK



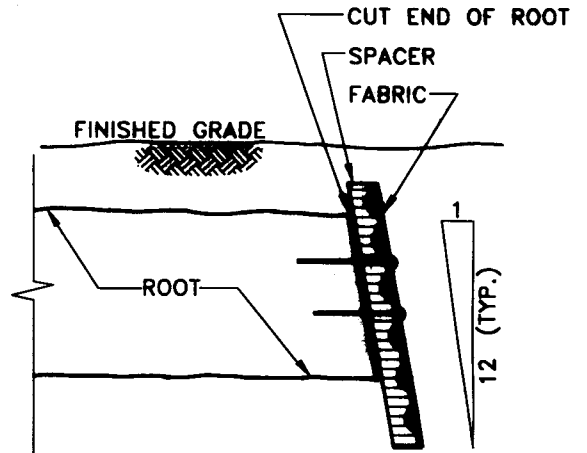
50 mm



*UNLESS OTHERWISE DETERMINED IN THE
FIELD BY THE ENGINEER.

NOTES:

1. A 25 mm THICK SPACER AND THE FABRIC SHALL BE FASTENED TO THE CUT TREE ROOT WITH TWO 50 mm NAILS. THE SPACER MATERIAL SHALL BE SIDEWALK EXPANSION JOINT MATERIAL OR APPROVED EQUAL.
2. THE FABRIC AND SPACER SHALL BE INSTALLED PRIOR TO THE CONCRETE CONSTRUCTION.
3. THE CONTRACTOR SHALL ALSO COMPLY WITH ALL MANUFACTURER'S RECOMMENDED SAFETY AND INSTALLATION PROCEDURES OF THE "TYPAR BIO-BARRIER" FABRIC OR APPROVED EQUAL.



12 (TYP.)

CITY OF PASADENA - PUBLIC WORKS & TRANSPORTATION DEPARTMENT

DRAWN BY:
YANNIE WU

DESIGNED BY:
CATHY CHANG

CHECKED BY:
YING KWAN

SUBMITTED BY:
ALAN CHARMATZ

**FABRIC ROOT BARRIER
INSTALLATION**

APPROVED BY:

William D. Sato
CITY ENGINEER RCE NO. 15716 EXPIRES MARCH 31, 1997

4/25/96
DATE

REVISION: NONE UNITS: METRIC

STANDARD PLAN:

S-635

SHEET 1 OF 1

3635-1-8.DWG 04/18/96